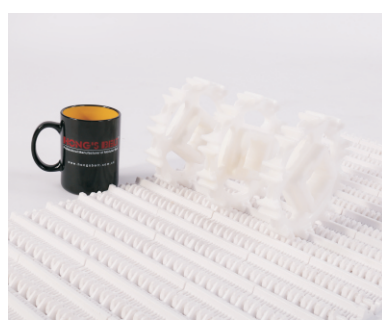
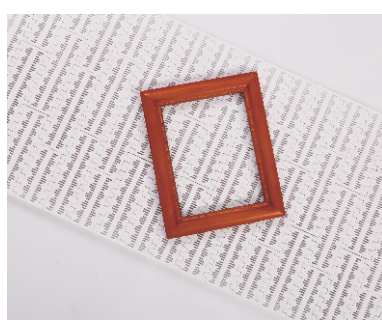
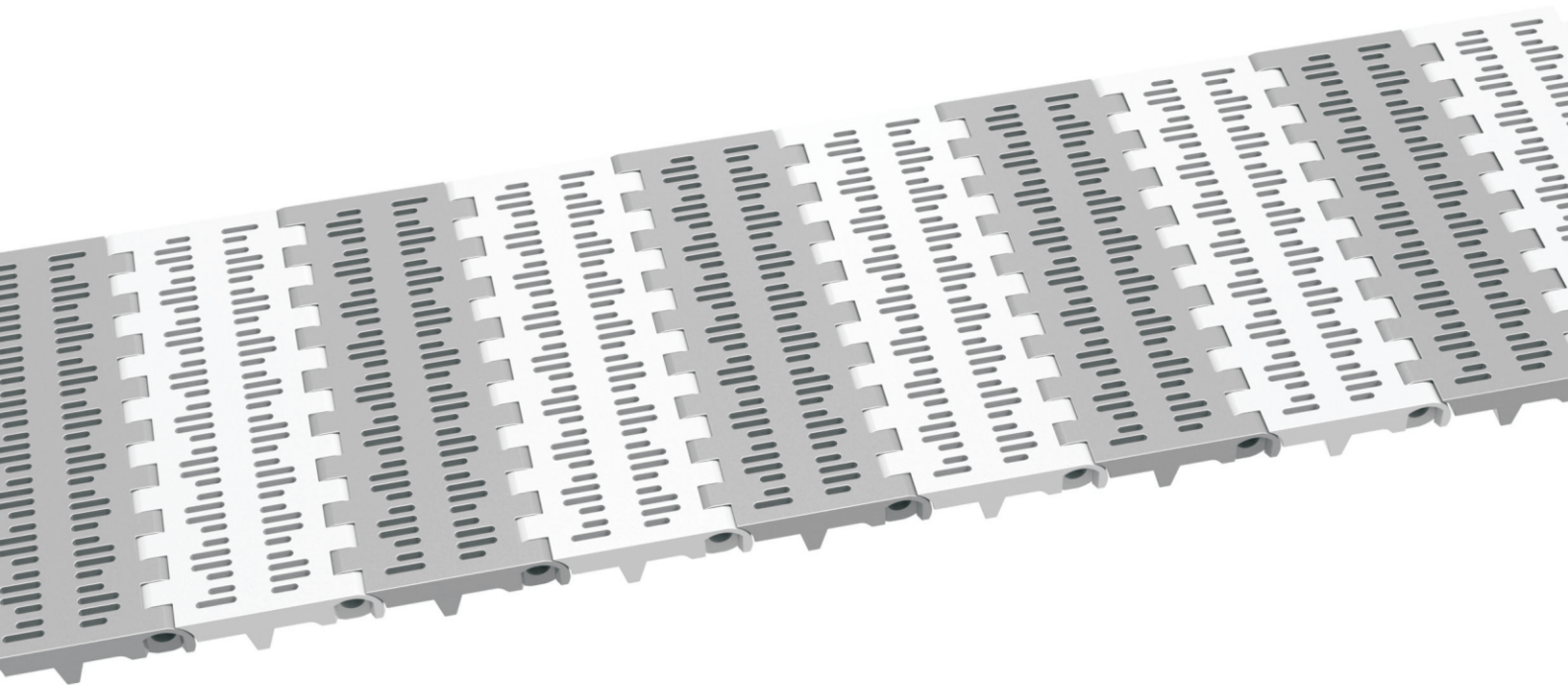
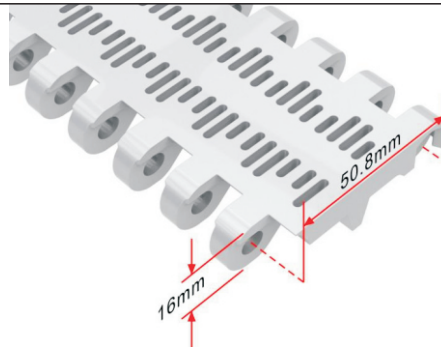


## HS-100B-HD-N Technical Data Sheet



Pitch: 50.8mm  
 Minimum Width: 151.5mm  
 Open Area: 17.6%  
 Approved: FDA  
 Rod: Ø 5.8mm  
 Flight: Yes  
 Side Guard: Yes  
 Curve: No



## Data

Belt Material	Belt Strength			Temperature		Belt Weight (Kg/M <sup>2</sup> )
	Straight		Curve	°C (min.)	°C (max.)	
	Kg/M(BW)	N/M(BW)				
<b>Polypropylene</b>	1340	13400	--	1	100	8.4
<b>Polyethylene</b>	1280	12800	--	-60	60	8.8
<b>Acetal</b>	1770	17700	--	-40	80	13.1
<b>Nylon</b>	1520	15200	--	1	180	11.8

**BW – Belt Width**

## Color Table

Polypropylene					Polyethylene					Acetal					Nylon				
W	G	N	DB	B	W	G	N	DB	B	W	G	N	DB	B	W	G	N	DB	B
●	●						●			●				●				●	

W-White, G-Gray, N-Nature, DB-Darkbrown, B-Blue

## Friction Table

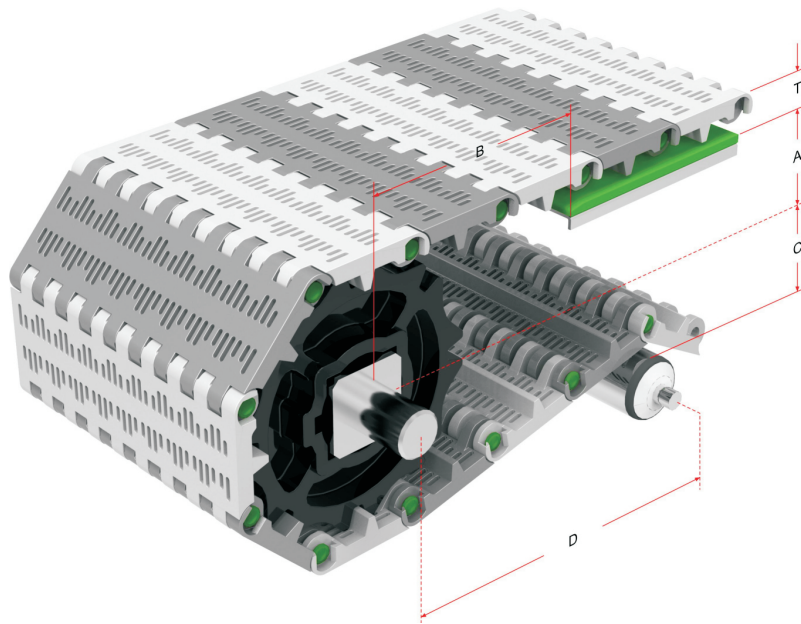
Belt Material	Friction Wear strips & Products							
	UHMW	HDPE	Steel	Glass	SUS	Plastic	Cardboard	Aluminum
<b>Polypropylene</b>	0.32	0.24	0.15	0.09	0.13	0.08	0.15	0.25
<b>Polyethylene</b>	0.13	0.11	0.26	0.19	0.31	0.16	0.21	0.41
<b>Acetal</b>	0.11	0.09	0.27	0.16	0.26	0.15	0.19	0.28
<b>Nylon</b>	0.18	0.13	0.25	0.16	0.26	0.16	0.19	0.27

SUS – Stainless Steel

## Equivalent type with other Brand

Brand Name	Intralox	UNI	Rexnord	MCC	Habasit	KVP
Series & Type	200	OPB	6390	2000	H5000	620
	800	L-SNB	2010		M5100	
	850	MPB	2000			

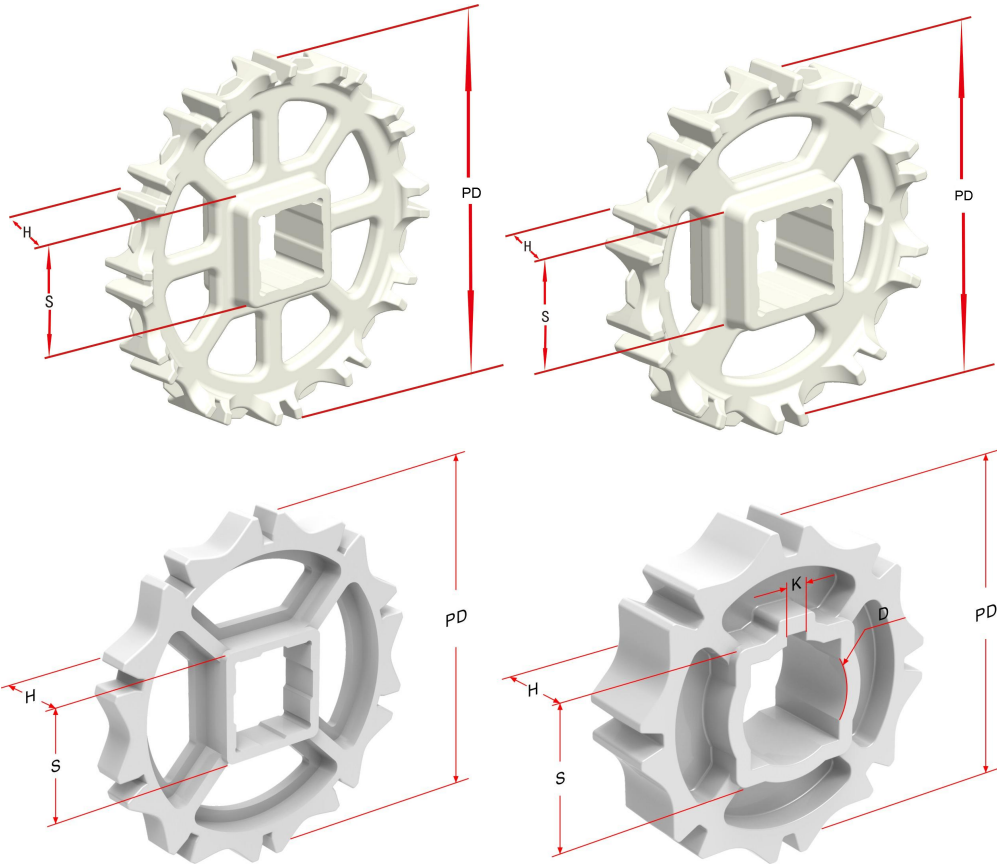
The above content is only for reference.



**Conveyor Frame Dimensions**

Unit : mm

No. Teeth	A ( Min.)	B ( Min.)	C ( Max.)	D ( Min.)	T
6	36.55	54.55	32.55	250	16
6/N	40.1	58.1	36.1	250	
8 / 8/N	53.65	71.65	49.65	250	
10 / 10/N	70.65	88.65	66.65	250	
12 / 12/N	87.4	105.4	83.4	300	



**Sprocket Dimensions**

**Unit : mm**

No. Teeth	PD	S	D	H	K
<b>6</b>	89.1	25.4/38.5/40.5	25.5/45.5	37	8X8
<b>6/N</b>	96.2	25.4/38.2	25.4/31.75	37	6.35X3.17
<b>8</b>	123.3	38.5/40.5	25.5/30.5	37	6.35X3.17
<b>8/N</b>	123.3	38.5/40.5	25.4/25.5/30.5/31.75	37	6.35X3.17
<b>10</b>	157.2	38.5/40.5	30.5	37	8X8
<b>10/N</b>	157.3	38.5/40.5/50.8	25.4/25.5/30.5/31.75/35/ 36.5/38.5/50.2/50.8	37	6.35X3.17
<b>12</b>	190.8	38.5/40.5/50.5/60.5	--	37	--
<b>12/N</b>	190.8	38.5/40.5/60.5	--	37	--